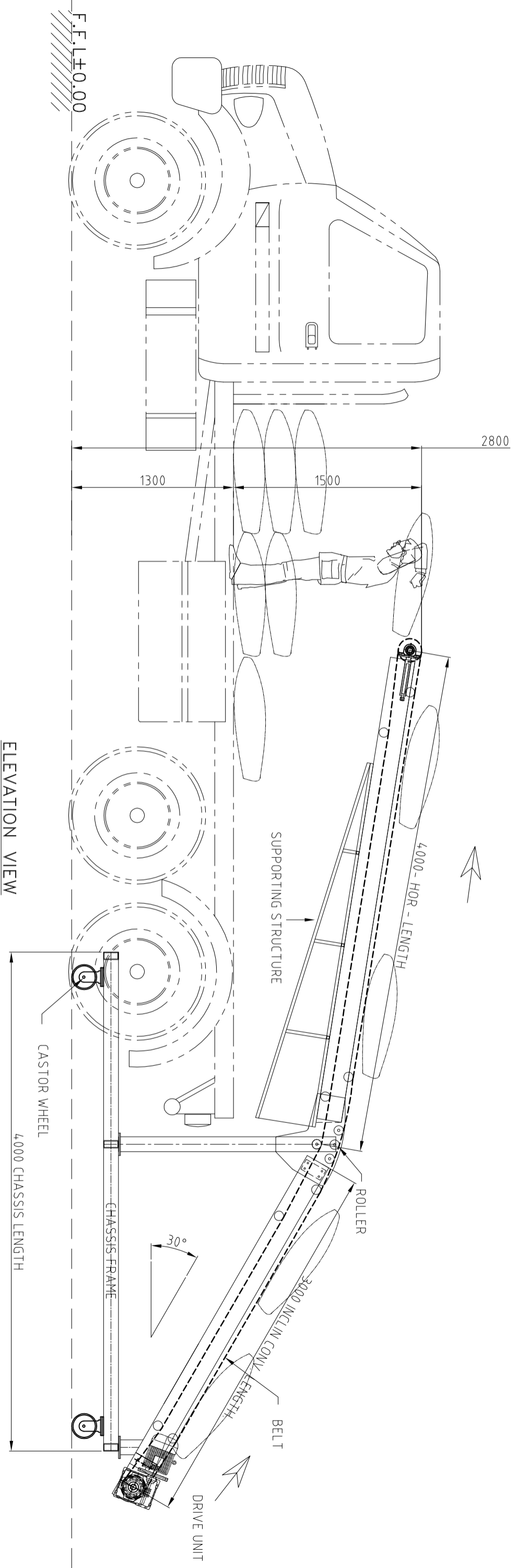


LOADING / UNLOADING FROM TRUCK / CONTAINER



ELEVATION VIEW

NOTES :-
 ALL DIMENSIONS ARE IN MM
 FOR BIDDING PURPOSE ONLY .
 FINAL CONVEYOR LENGTH/ DRAWING AFTER DETAIL ENGG.

SR.No.	REVISION	DATE	BY

CLIENT:-
 D.S.C.L
 KOTA

vivian conveyors
 4, Ishana - 1, Paud Road, Near Chandani Chowk,
 Ph.Nos: (020) 25286480 , Fax 25286481
 PUNE - 411029. (Mah.) Email:- mormam@vivianindia.com

DRN. B.N.P 23/8/12
CHD. MANDAR 23/8/12
APPD. V.V.N.
SCALE NTS
SIZE A3

TITLE:
 G.A DRAWING OF
 VC-FTL 650

PROJECT No.
 1203

QTY.
 01

REV.
 0

THIS DRAWING IS THE PROPERTY OF
vivian conveyors
 IT IS SUBJECT TO THEIR RECAL
 AND MUST NOT BE LENT COPIED
 OR REPRODUCED WITHOUT THEIR
 WRITTEN PERMISSION.